

FIG.101, BRONZE GATE VALVE, PN20

Size: DN 15 mm - 100 mm

SPECIFICATION

MSS SP - 80

SCREWED-IN BONNET. SOLID WEDGE DISC

NON-RISING STEM. INTEGRAL SEAT. ASBESTOS FREE

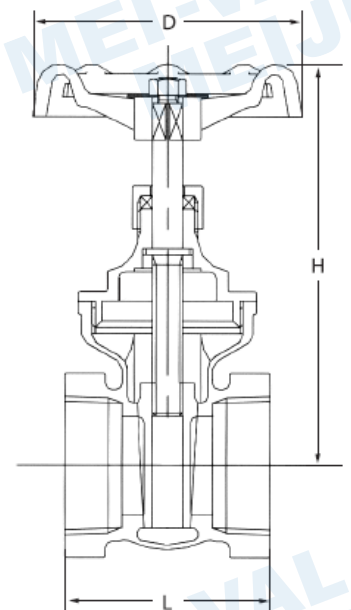
THREADED TO BS 21, ISO 07, ASME B1 .20. 1

PRESSURE/TEMPERATURE RATING

Working pressure	20 bar (WOG) Non Shock
Test pressure	Shell: 30 bar Hydrostatic
	Seat: 21 bar Hydrostatic 5.5 bar Air
Working temperature	-20°C ~ 120°C
Suitable Media	

MATERIAL LIST

Part	Material	ASTM Spec.	BS Spec.
Body	Bronze (Gunmetal)	B62 C83600	1400 LG2
Bonnet/Disc	Bronze (Gunmetal)	B62 C83600	1400 LG2
Stem	Brass Rod	B124 C38800	2874 CZ122
Packing	PTFE	-	-
Packing nut	Brass Rod	B124 C38800	2874 CZ122
Gland	Brass Rod	B124 C38800	2874 CZ122
Hand wheel	Aluminum	-	-
Gasket	Non Asbestos		



DIMENSIONS

DN	mm	15	20	25	32	40	50	65	80	100
	Inch	1/2	3/4	1	1 1/2	1 1/4	2	2 1/2	3	4
L (mm)		44	49	54	62	64	75	89	105	124
H (mm)		78	92	103	116	133	156	190	215	258
D (mm)		55	63	63	71	80	90	100	110	130

Note:

1. If used for gas application, please consult our sales office.
2. Design and specifications are subject to change without prior notice.