

FIG. 111 BRONZE Y STRAINER, PN25

Size: DN 15 mm - 100 mm

SPECIFICATION

Y-PATTERN BODY. SCREWED CAP WITH PLUG
 STAINLESS STEEL 304 SCREEN. ASBESTOS FREE
 THREADED TO BS 21, ISO 07, ASME B1.20.1
 HOLE SCREEN: 1.4 MM X 1.2 MM

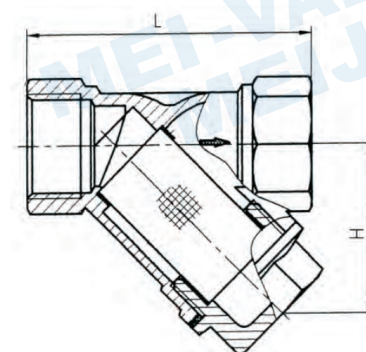


PRESSURE/TEMPERATURE RATING

Working pressure	25 bar (WOG) Non Shock
Testing Pressure	Shell: 37.5 bar Hydrostatic Seat: 27.5 bar Hydrostatic 5.5 bar Air
Working temperature	-20°C ~ 120°C
Suitable Media	

MATERIAL LIST

Part	Material	ASTM Spec.	BS Spec.
Body	Bronze (Gunmetal)	B62 C83600	1400 LG2
Cap	Bronze (Gunmetal)	B62 C83600	1400 LG2
Screen	Stainless steel 304	A240 304	1449 304S31
Gasket	Non-Asbestos	-	-



DIMENSIONS

DN	mm	15	20	25	32	40	50	65	80	100
	Inch	1/2	3/4	1	1 1/2	1 1/4	2	2 1/2	3	4
L (mm)		75	87	108	122	135	163	230	260	330
H (mm)		40	45	64	71	81	96	110	142	175

Note:

1. If used for gas application, please consult our sales office.
2. Design and specifications are subject to change without prior notice.