

**SPECIFICATION**

MSS SP -80  
 SCREWED-IN BONNET. SWIVEL DISC  
 RISING STEM. ASBESTOS FREE  
 THREADED TO BS21, ISO7, ASMEB1.20.1

**PRESSURE/TEMPERATURE RATING**

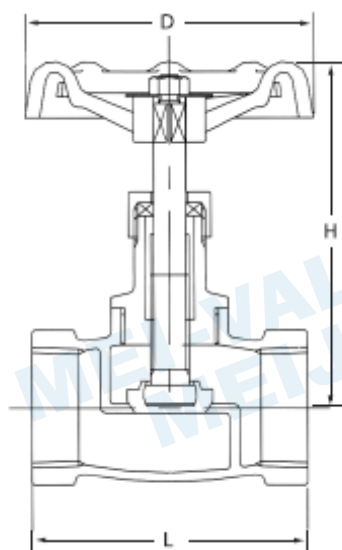
Working pressure	20 bar (WOG) Non Shock
Test pressure	Shell: 30 bar Hydrostatic Seat: 21 bar Hydrostatic 5.5 bar Air
Working temperature	-20°C ~ 120°C
Suitable Media	

**MATERIALS**

Part	Material	ASTM Spec.	BS Spec.
Body	Bronze (Gunmetal)	B62 C83600	1400 LG2
Bonnet	Bronze (Gunmetal)	B62 C83600	1400 LG2
Disc	Bronze (Gunmetal)	B62 C83600	1400 LG2
Stem	Brass Rod	B16 C36000	2874 CZ121
Packing nut	Brass Rod	B16 C36000	2874 CZ121
Gland	Brass Rod	B16 C36000	2874 CZ121
Hand wheel	Cast iron	A48. No35	1452 Gr. 250

**DIMENSIONS**

Size (mm)	L (mm)	H (mm)	D (mm)
15	52	72	57
20	64	84	72
25	76	94	78
32	83	110	97
40	98	126	108
50	118	153	126



**Note:**

1. If used for gas application, please consult our sales office.
2. Design and specifications are subject to change without prior notice.