

FIG. 121, BRASS FLOAT VALVE, PN10

SPECIFICATION

THREADED TO BS21, ISO7, ASMEB1.20.1

PRESSURE/TEMPERATURE RATING

Working pressure	25 bar (WOG) Non Shock
Testing Pressure	Shell: 10 bar Hydrostatic Seat: 11 bar Hydrostatic 5.5 bar Air
Working temperature	-10°C ~ 110°C
Suitable Media	

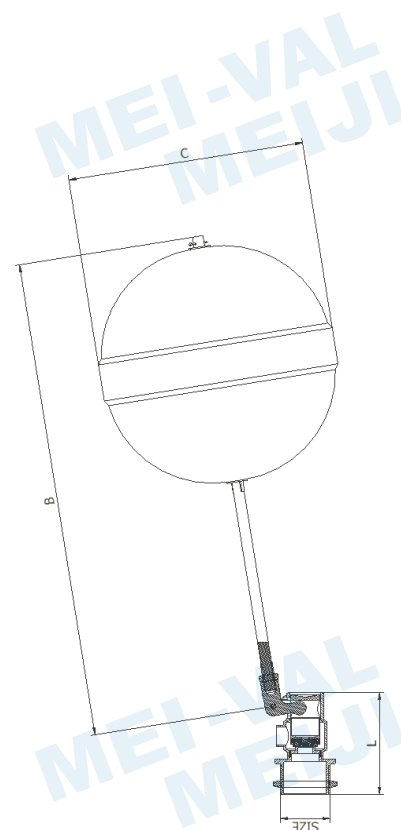


MATERIALS

Part	Material	ASTM Spec.	BS Spec.
Body	Brass	B124 C37700	2874 CZ122
Disc	Brass	B124 C37700	2874 CZ122
Stem	Stainless steel	A240 410	BS970 420S37
Float	Stainless steel Plastic	A240 304 - Commercial	BS 970 304 S15 -

DIMENSIONS

Size (mm)	L (mm)	B (mm)	D (mm)
15	50	300	100
20	50	310	110
25	58	410	150
32	87	410	200
40	90	520	210
50	92	600	250



► **Note:** Design and specifications are subject to change without prior notice.