

FIG. 147, GROOVED-END BUTTERFLY VALVE, 20.7BAR/ 300PSI

Size: DN 65 - 250mm

SPECIFICATION

- Both Gear Operator or Lever Handle Available for Indoor or Outdoor use.
- Epoxy Coated Ductile Iron body for Excellent Protection.
- Elastomer Encapsulated Disc with Outstanding Flow Characteristics.
- Low Torque Operation.
- Options of Double Internal Supervisory Switches for Gear operator.



PRESSURE/TEMPERATURE RATINGS

Working pressure	300PSI/ 20.7 bar
Testing Pressure	Shell: 450 PSI, Seat: 330 PSI
Working temperature	EPDM ≤85°C
Suitable Media	

MATERIALS Specifications

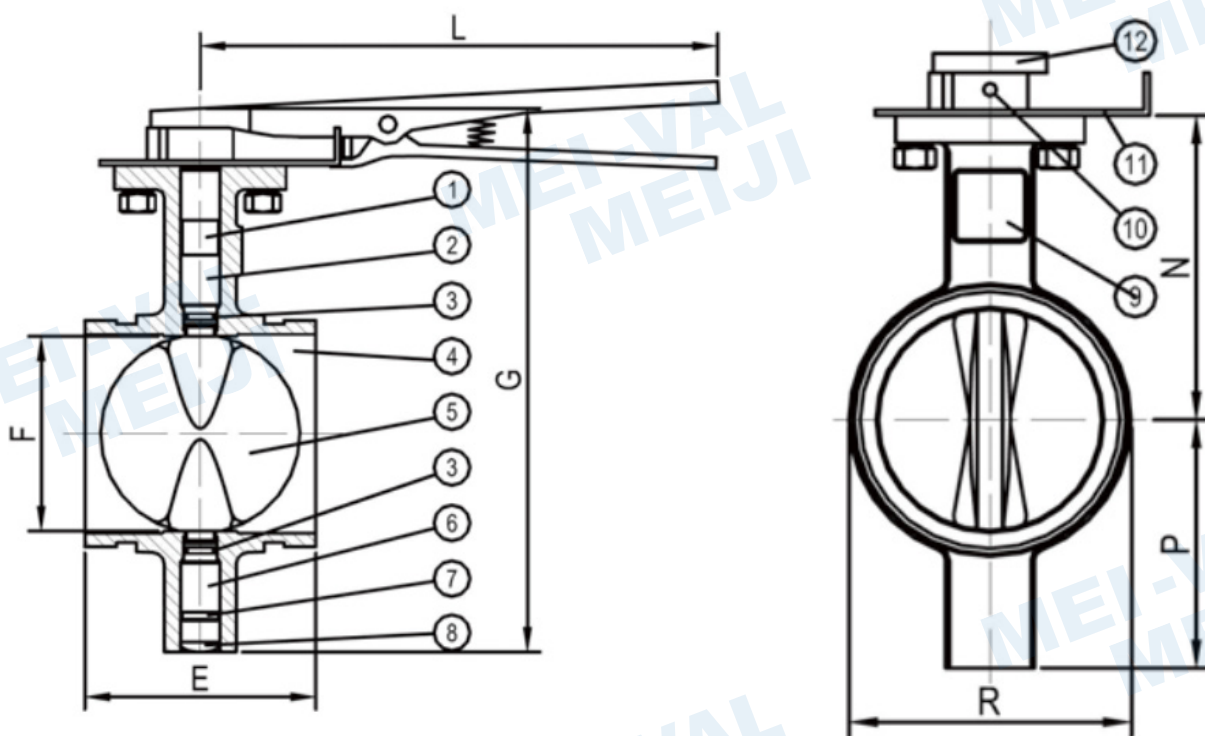
Part	ASTM Spec.
1 Upper Stem	Stainless Steel ASTM A276 Type 420
2 Upper Bearing	PTFE Bronze Sintered on Steel
3 O-Ring	EPDM
4 Body	Ductile Iron ASTM A536 Epoxy Coated
5 Disc	Ductile Iron ASTM A536 with EPDM Encapsulation
6 Lower Bearing	PTFE Bronze Sintered on Steel
7 Lower Stem	Stainless Steel ASTM A276 Type 420
8 Dust Plug	PVC
9 Name Plate	Stainless Steel
10 Pin	Steel
11 Plate	Steel
12 Handle	Steel

Dimension

Part Number	Size		OD mm	E		F		G	
	In.	mm		In.	mm	In.	mm	In.	mm
147-073	2½	65	73	3.85	98	2.4	61	7.32	186
147-076	3OD	65	76.1	3.85	98	2.4	61	7.32	186
147-089	3	80	88.9	3.85	98	2.87	73	8.27	210
147-114	4	100	114.3	4.56	116	3.86	96	10.2	280
147-140	5½OD	125	139.7	5.86	149	4.8	122	11.4	290
147-165	5	125	141.3	5.86	149	4.8	122	11.4	290
147-165	6½OD	150	165.1	5.86	149	5.75	146	12.8	325
147-168	6	150	168.3	5.86	149	5.75	146	12.8	325
147-219	8	200	219.1	5.27	134	7.72	196	15.9	404
147-273	10	250	273	6.3	160	9.57	243	18.9	480

FIG. 147, GROOVED-END BUTTERFLY VALVE, 20.7BAR/ 300PSI

Part Number	Size		L		N		P		R		Weight	
	In.	mm	In.	mm	In.	mm	In.	mm	In.	mm	Lbs	kg
147-073	2½	65	10.2	260	3.78	96	2.95	75	3.35	85	12.1	5.5
147-076	30D	65	10.2	260	3.78	96	2.95	75	3.35	85	12.8	5.7
147-089	3	80	10.2	260	4.13	105	3.54	90	3.82	97	13.2	6
147-114	4	100	10.2	260	5.31	135	4.33	110	4.88	124	15.9	7.2
147-140	5½OD	125	10.2	260	5.83	148	5	127	6.1	155	18.7	8.5
147-141	5	125	10.2	260	5.83	148	5	127	6.1	155	18.7	8.5
147-165	6½OD	150	10.2	260	6.5	165	5.71	145	7.2	183	28.2	12.8
147-168	6	150	10.2	260	6.5	165	5.71	145	7.2	183	32.3	14.8
147-219	8	200	12.8	325	8.03	204	6.89	175	9.29	236	35.5	16.1
147-273	10	250	12.8	325	9.65	245	8.27	210	11.4	289	66	30



Butterfly Valve Performance Date

Formulas for C_v Values

$$\Delta P = \frac{Q^2}{C_v^2}$$

$$Q = C_v \times \sqrt{\Delta P}$$

Where: Q = Flow rate (gallons per minute: GPM)

ΔP = Pressure drop across valve (PSI)

C_v = Flow coefficient

Nominal Size				Pipe O.D.				Cv (Full Open)			
In.	mm	mm	(Full Open)	In.	mm	mm	(Full Open)	In.	mm	mm	(Full Open)
2 1/2	65	73.0	221	5 1/2 OD	125	139.7	1200	8	200	219.1	3874
3 OD	65	76.1	221	5	125	141.3	1200	10	250	273.0	5995
3	80	88.9	324	6 1/2 OD	150	165.1	1934				
4	100	114.3	670	6	150	168.3	1934				

