

**SPECIFICATION**

FLANGED TO BS 4504 PN16/25, ISO 7005-2, JIS10/16K, ANSI Class 125/150.

FACE-TO-FACE DIMENSION TO ISO 5752/ BS 5155 / BS EN 593/ MSS SP-67/ API 609.

LEVER / WORM GEAR OPERATOR.



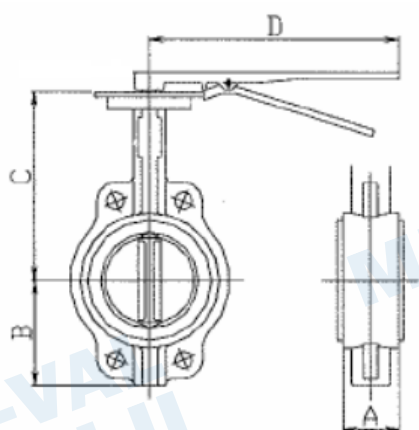
PRESSURE/TEMPERATURE RATINGS	
Working pressure	16/25 bar
Testing Pressure	Shell: 24/37.5 bar, Seat: 17/26 Bar
Working temperature	-20°C to 110°C EPDM Seat -10°C to 80°C NBR Seat
Suitable Media	WOG

MATERIALS			
Part	Material	ASTM Spec.	EN Spec.
Body	Ductile Iron	A536 65-45-12	1563 EN-JS1050
Disc	Ductile Iron	A536 65-45-12	1563 EN-JS1050
	Stainless Steel 304	A531 CF-8	970 304 C15
Shaft	Stainless Steel 410	A276 S 410 00	970 410 S21
	Stainless Steel 431	A276 S 431 00	970 431 S29
Seat Ring	EPDM / NBR		
Taper Pins	Stainless Steel 304	A276 S 304 00	970 304 S15
Key	Carbon Steel		
O-Ring	EPDM / NBR		
Bushing	PTFE		
	Bronze	B62 C83600	1400 LG2
Painting	Blue Epoxy Power Coating		

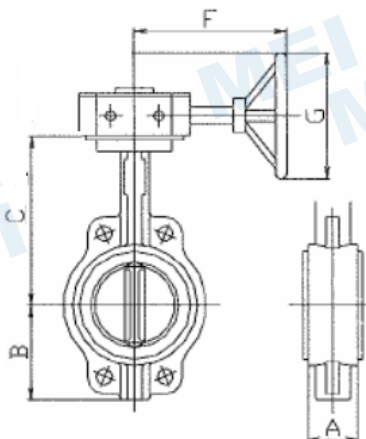
DIMENSIONS												
DN	mm	50	65	80	100	125	150	200	250	300	350	400
	Inch	2	2-1/2	3	4	5	6	8	10	12	14	16
A		42	46	46	52	55	56	62	67	77	78	87
B		80	85	95	114	127	139	175	203	242	267	316
C		160	175	180	200	213	226	260	292	337	368	400
D		180	180	180	220	275	275	-	-	-	-	-
E		212	212	212	212	212	212	305	305	300	300	423
G		148	148	148	148	148	148	285	285	285	285	285

DN	mm	450	500	550	600	650	700	750	800	900	1000	1200
	Inch	18	20	22	24	26	28	30	32	36	40	48
A		114	127	151	151	172	165	167	188	203	216	276
B		334	370	433	468	484	530	565	602	661	724	869
C		422	480	533	562	540	626	660	665	722	805	935
D		420	490	490	490	516	532	532	583	583	600	628
G		385	385	385	385	385	425	425	425	425	425	425

DIMENSIONS DESIGNED

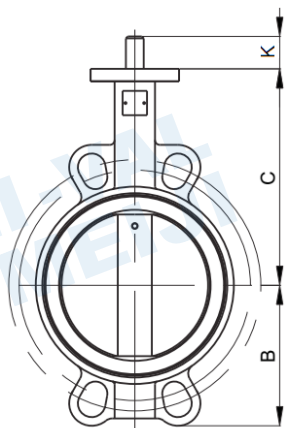


Lever Size DN 50mm to DN 300mm

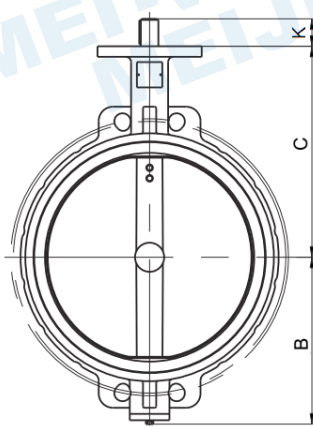


Gearbox Size DN 50mm to DN 300mm

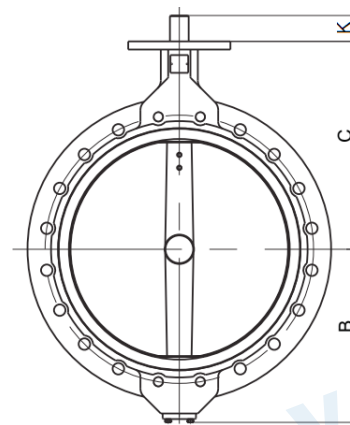
APPEARANCE



Fit: DN 50mm to DN 350mm



DN 400mm to DN 500mm



DN 650mm to DN 1200mm

► Note:

1. A: Face to face.
2. JIS B2043 10K and other flange standards available upon request.
3. If used for gas application, please consult our sales office.
4. Design and specifications are subject to change without prior notice.