

FIG. 216, ISO 5752/ BS 5155/ BS EN 593, DOUBLE FLANGED BUTTERFLY VALVE (CONCENTRIC TYPE)

Size: DN 50 mm - DN 3000 mm

SPECIFICATION

FLANGED TO BS 4504 PN10/16/25, JIS 10K/16K, ANSI Clas125/150.
FACE-TO-FACE DIMENSION TO ISO 5752/ BS5155/ BS EN 593.
LEVER/ WORM GEAR OPERATOR.

PRESSURE/TEMPERATURE RATINGS

Working pressure	DN 50mm-600mm : 16/25 bar DN 700mm- 3000mm: 10/16 bar
Testing Pressure	Shell: 10/24/37.5 bar, Seat: 11/17/26 Bar
Working temperature	-20°C to 110°C EPDM Seat -10°C to 80°C NBR Seat
Suitable Media	WOG

MATERIALS

Part	Material	ASTM Spec.	EN Spec.
Body	Ductile Iron	A536 65-45-12	1563 EN-JS1050
Disc	Ductile Iron	A536 65-45-12	1563 EN-JS1050
	Stainless Steel 304	A531 CF-8	970 304 C15
Shaft	Stainless Steel 410	A276 S 410 00	970 410 S21
	Stainless Steel 431	A276 S 431 00	970 431 S29
Seat Ring	EPDM / NBR		
O-Ring	EPDM / NBR		
Bushing	Bronze	B62 C83600	1400 LG2
Painting	Blue Epoxy Power Coating		

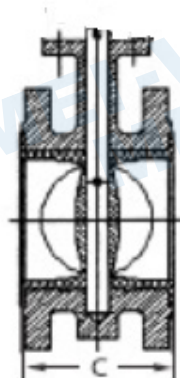
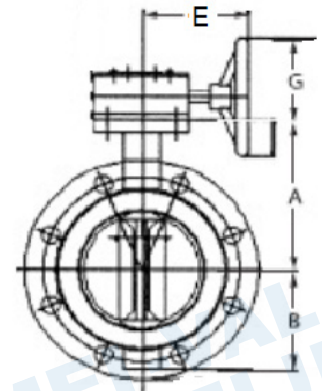
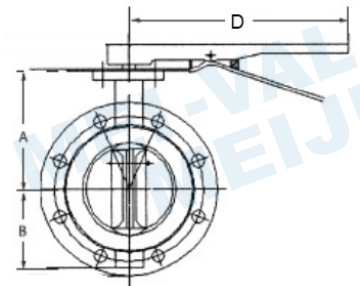


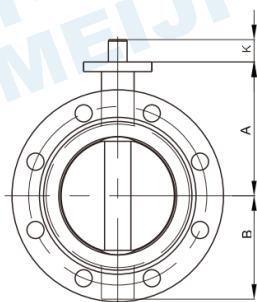
FIG. 216, DOUBLE FLANGED BUTTERFLY VALVE

DIMENSIONS

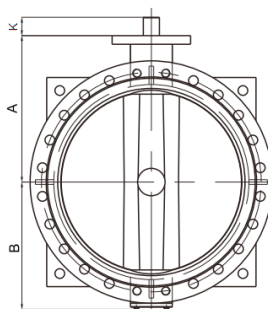
DN	mm	50	65	80	100	125	150	200	250	300	350	400
	Inch	2	2-1/2	3	4	5	6	8	10	12	14	16
A	80	80	95	114	114	139	175	203	242	256	317	
B	110	134	131	150	170	180	210	245	276	328	376	
C	108	112	114	127	140	140	152	165	178	190	216	
D	267	267	267	267	267	267	-	-	-	-	-	
E	173	173	173	173	173	173	239	239	239	239	239	
G	150	150	150	150	150	150	150	302	302	302	302	

DN	mm	450	500	600	700	750	800	900	1000	1200	1300	1350
	Inch	18	20	24	28	30	32	36	40	48	52	54
A	341	367	432	488	517	544	615	669	794	968	1062	
B	407	433	508	560	610	620	692	735	917	990	1046	
C	222	229	267	292	305	318	330	410	470	490	490	

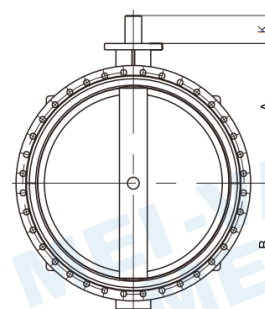
DN	mm	1400	1500	1600	1800	2000	2200	2400	2600	2800	3000
	Inch	56	60	64	72	80	88	96	104	112	120
A	1066	950	1054	1164	1363	1445	1610	1795	1900	2040	
B	1000	1050	1150	1200	1360	1500	1650	1780	1900	2070	
C	530	570	600	670	760	800	850	900	950	1000	



Fit DN50-DN350mm



DN400-DN1200mm



DN1300-DN3000mm

Note:

1. C: Face to face.
2. Disc: DN 50-600 mm Nickel Plate Coating, DN 700-3000 mm Epoxy Power Coating (Standard).
3. JIS B2043 10K and other flange standards available upon request.
4. If used for gas application, please consult our sales office.
5. Design and specifications are subject to change without prior notice.