

FIG. 1019, BRONZE PRESSURE REDUCING VALVE, PN20

Size: DN 15 - 50 mm

SPECIFICATION

SIZE: 15 ~ 50 MM

THREADED TO BS21, ISO7, ASMEB1.20.1

RANGE: 20 ~ 75 PSI

PRESSURE/TEMPERATURE RATING

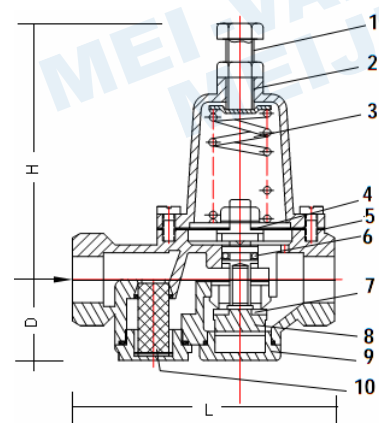
Working pressure	20 bar (WOG) Non Shock
Testing Pressure	Shell: 30 bar Hydrostatic Seat: 21 bar Hydrostatic 5.5 bar Air
Working temperature	-10°C ~ 70°C
Suitable Media	

MATERIALS

Part	Material	ASTM Spec.	BS Spec.
Body	Bronze	B62 C83600	1400 LG2
Bonnet	Bronze	B62 C83600	1400 LG2
Disc	Bronze	B62 C83600	1400 LG2
Stem	Stainless steel	A240 410	970 410S15
Diaphragm	Rubber(NBR)		
Sealing	Rubber(NBR)		
Spring	Stainless steel	A240 304	970 304S15
Filler	Stainless steel	A240 304	970 304S15

DIMENSIONS

Size (mm)	L (mm)	H (mm)	D (mm)
15	110	130	38
20	110	130	43
25	135	143	46
32	160	195	47
40	180	222	51
50	200	252	55



1. Adjust screw
2. Bonnet
3. Spring
4. Tabling
5. Diaphragm
6. Sealing
7. Sealing
8. Disc
9. Body
10. Filler

Note: Design and specifications are subject to change without prior notice.