

## SPECIFICATION

Size: DN 15mm ~ 25mm.

Material of body: Brass body.

Coating: Blue & red epoxy power coating.

Connection: BS21, ISO7, ASMEB1.20.1



Cold water meter

PRESSURE/TEMPERATURE RATINGS	
Working pressure	10 bar
Testing Pressure	Shell: 15bar
Working temperature	≤30°C for Cold water (blue color) ≤90°C for Hot water (red color)
Suitable Media	Cold Water & hot water

## PRODUCTION DESCRIPTION

- This range of water meter is using to measure the total quantity of cold (hot) potable water which consumed in household or a resident unit, passing through the pipeline.
- Compliance with standards: ISO 4064 Class B
- Feature: Dry-dial, Multi-jet,
- Measuring accuracy conform to ISO 4064 Class B standard
- Installed in vertical pipeline and is suitable for household as branch meter.
- Cold water meter or hot water meter for option.



Hot water meter

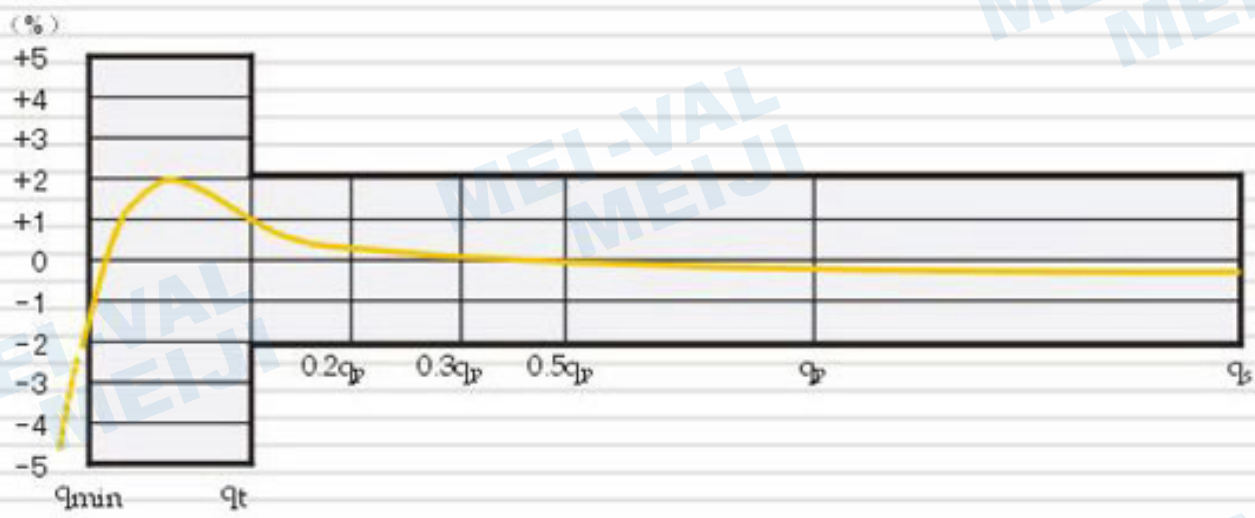
MAIN TECHNICAL DATE							
Meter size	Class	Qs (Qmax)	Qp (Qn)	Qt	Qmin	Min Reading Lectura	Max Reading Lectura
(mm)		Overload Flow	Nominal Flow	Transitional Flow	Min Flow		
		m3 /h		l/h		m3	
15	A	3	1.5	150	60	0.0001	99999
	B			120	30		
20	A	5	2.5	250	100	0.0001	99999
	B			200	50		
25	A	7	3.5	350	140	0.0001	99999
	B			280	70		

## INDICATING ERROR

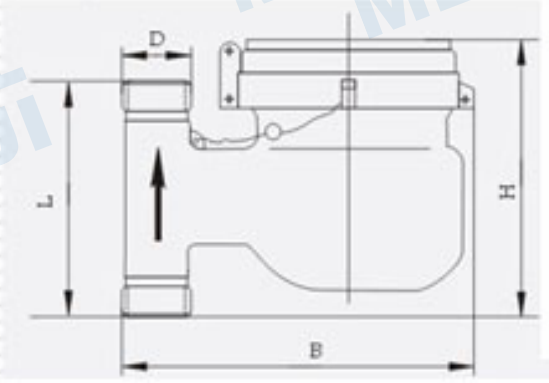
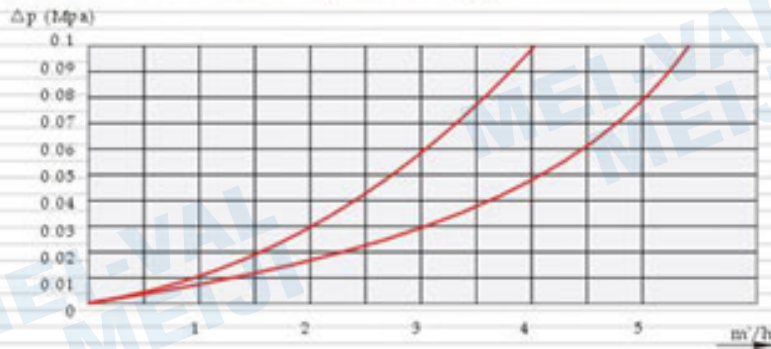
At low zone is ± 5% from minimum flow rate (Qmin) to transitional flow rate (Qt) exclusive boundary

At high zone is ± 2% from transitional flow rate (Qt) to overload flow rate (Qs)

FLOW-ERROR CURVE  
Grafico de precision de caudal



HEADLOSS CURVE Grafico de perdida de carga



**DIMENSIONS AND WEIGHT**

Meter size	L	B	H	Connecting Thread	Weight
(mm)	Length (mm)	Width (mm)	Height (mm)	D	kg
15	95	135	120	G3/4" B	1.5
20	100	150	130	G1" B	1.7
25	110	160	130	G1 1/4" B	3

► **Note:** Design and specifications are subject to change without prior notice.